



## 35dB Timing GPS Antenna, Jam-Resistant, 5V



The specifications in this document are subject to change without Notice.  
Heol Design is not responsible for the operation or failure of operation of GPS  
satellites or the availability of GPS satellite signals.

## Key Features

- Waterproof and corrosion-resistant housing filtering for harsh RF jamming environments
- Proven extra rugged, reliable
- Available in TNC or F
- RoHS-Compliant (Pb-free)

## Presentation

Whatever the environment, the Timing GPS antenna will perform, year after year. The Timing antenna provides a perfect solution for fixed-site, rooftop, HEOL DESIGN GPS Timing systems. This antenna is also a high-quality solution for adding GPS RF signals for HEOL DESIGN GPS navigation systems.

### Put it anywhere

The antenna is housed in weatherproof packaging designed to withstand exposure to shock, excessive vibration, extreme temperatures, rain, snow and sunlight.

The dome is all plastic, and the threaded socket in the base of the antenna is corrosion resistant. The threaded socket accepts either a 1"-14" straight thread (typical marine antenna mount) or a 3/4" pipe thread.

The F-type or TNC antenna connector is located inside the threaded socket, which allows the antenna cable to be routed inside a mounting pole and protects the cable connection for added reliability.

## SUMMARY OF THE CHARACTERISTICS:

### Environmental:

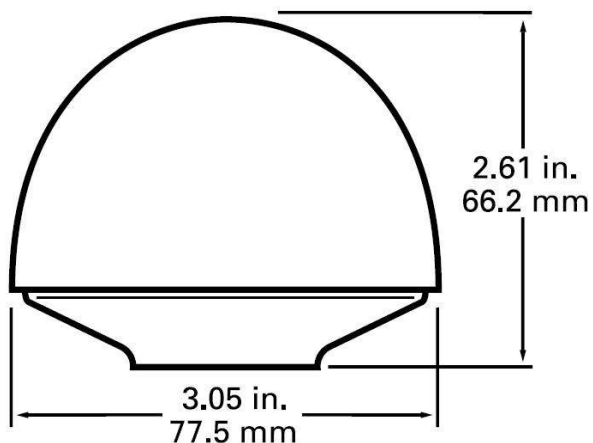
Vibration	10-200Hz Log sweep 3g 3 axes
Shock	50g vertical, 30g all axes
Operating Temperature	-40/+85 °C
Storage Temperature	-40/+100°C
Humidity	MIL-STD-810E
Corrosion	5% Salt spray
Waterproof	IP67 - Immersion to 1 meter
Mounting	1"-14" thread or 3/4" pipe thread
Weight	170 grams

### Electrical/Performance characteristics

Prime power	5 VDC (±10%)
Power consumption	30mA
Gain	35 dB (±3dB)

Frequency	1575.42MHz ( $\pm 1.023$ MHz)
Noise	3.3dB maximum (25°C $\pm 5$ °C)
Impedance	50 Ohm
Azimuth coverage	360°
Elevation coverage	0° to 90° elevation

**Mechanical:**



'F' connector

'TNC' connector



Antenna with mechanical mounting kit

